



- Wide setpoint range for each model
- Adjustable or fixed hysteresis
- Available in 2-step design

The MTID electro-mechanical thermostats are constructed for duct mounting. The capillary tube is a liquid-filled copper bulb with a 200 mm protection spring area and a mounting bracket. The relay is capable of breaking up to 15 A at 230 V AC.

Hysteresis

1-step models are available featuring either fixed or adjustable hysteresis.

2-step models have fixed hysteresis (see model list overleaf).

MTID

Mechanical duct thermostat

MTID is a series of high quality electro-mechanical thermostats for use in cooling, heating and ventilation systems.

- Breaking capacity 15 A at 230 V AC
- Protection class IP65

Step differential

In the 2-step thermostats, the step differential can be adjusted 2...5 K.

Setpoint adjustment

Models are available with setpoint adjustment via a knob mounted either on or under the unit cover.

Models

Type	Temperature range	Steps	Hysteresis	Step diff.	Max. bulb temp.	Insertion length (mm)	Hidden setpoint	Manual max. reset
MTID30H	-30...+30°C	1	1 K		60°C	200/Ø21	•	
MTID60S	0...60°C	1	2...20 K		75°C	200/Ø21		
MTID60-2	0...60°C	2	1 K	2...5	75°C	200/Ø21		
MTID60	0...60°C	1	1 K		75°C	200/Ø21		
MTID120HR	50...120°C	1	1 K		140°C	200/Ø21	•	•

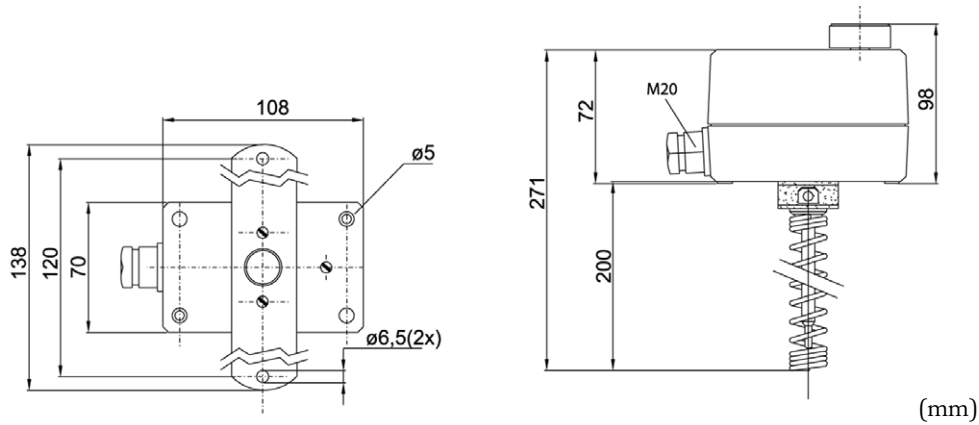
Accessories

Name	Description
DR-25	Protection spring and mounting bracket (factory mounted, included upon delivery)

Technical data

Sensitive element	Liquid-filled copper bulb with 200 mm protection spring and mounting bracket
Contacts	dust-tight microswitches with SPDT contacts (heat/cool)
Switch capacity	15 (8) A, 24...250 V AC
Ambient temperature	-35...+65°C
Ambient humidity	10...90 % RH (non-condensing)
Material	< 95 % RH
Housing	Bayblend® base, ABS cover
Protection	IP65, class I
Weight	690 g
CE	<p>Low Voltage Directive (LVD) & EMC emissions & immunity standards: This product conforms to the requirements of the European Low Voltage Directive (LVD) 2006/95/EC and to the requirements of the EMC Directive 2004/108/EC through product standard EN 60335-1.</p> <p>RoHS: This product conforms to the Directive 2011/65/EU of the European Parliament and of the Council.</p>

Dimensions



Wiring

Heating

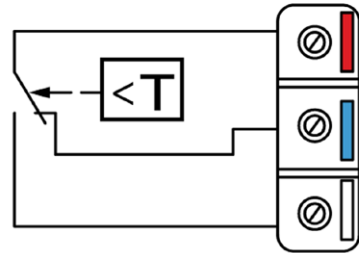
Connect to the red and blue terminal. The contact will open when the temperature rises.

For 2-step versions, the step 2 contact will open first when the temperature rises, followed by the step 1 contact.

Cooling

Connect to the red and white terminal. The contact will open when the temperature drops.

For 2-step versions, the step 2 contact will open first when the temperature drops, followed by the step 1 contact.



Product documentation

Document	Type
MTID_inst	Instruction for MTID

The document can be downloaded from www.regincontrols.com.

Head Office Sweden

Phone: +46 31 720 02 00

Web: www.regincontrols.com

Mail: info@regin.se