

FEATURES

- Compact pilot boxes with direct operated, integrated pilot valves
- Especially designed for the remote control of pulse valves (series 353)
- Pilot valves are assembled in base plate
- Heating element for trouble free operation at low ambient temperatures
- Class of protection: IP 65
- The components satisfy all relevant EC directives

GENERAL

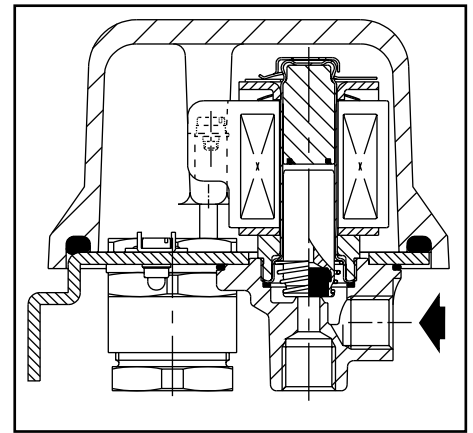
Differential pressure (PS) 0 - 7 bar [1 bar = 100kPa]
Response times 5 - 25 ms

| fluid | temperature range (TS) | seal material |
|-------|------------------------|---------------|
| air | -20 to +80°C | NBR (nitrile) |



CONSTRUCTION

| | |
|-----------------------|--------------------------|
| Base-plate | Steel (zinc plated) |
| Cover | Cast-aluminium |
| Core tube | Stainless steel |
| Core and plugnut | Stainless steel |
| Spring | Stainless steel |
| Disc | NBR |
| Pilot body | Brass |
| Shading coil | Copper |
| Coil insulation class | F |
| Electrical connection | Coil with screw terminal |



ELECTRICAL CHARACTERISTICS

Standard voltages DC (=) 24V
AC (~) 24V - 115V - 230V/50Hz

| coil type | nominal power ratings | | | | ambient temperature range (°C) | protection | replacement coil | |
|-------------|-----------------------|-----------|------|----------------------|--------------------------------|--------------|------------------|--------------|
| | inrush ~ (VA) | holding | | hot/cold = (W) | | | ~ 230 V/50 Hz | = 24 V DC |
| | | ~ (VA) | (W) | | | | | |
| SMXX-FB | 56 | 35 | 16,7 | - | 0 to +85 | moulded IP65 | 400405-217 | - |
| SMXX-FI (1) | - | - | - | 30 | | | - | 400405-642 |

SPECIFICATIONS

| number of pilot valves | pipe size Rp | orifice size (mm) | flow coefficient kv (m³/h) (l/min) | | operating pressure differential (bar) | | catalogue number for boxes (2) | |
|------------------------|-----------------|----------------------|---------------------------------------|------|---------------------------------------|--------------|----------------------------------|----------------------------------|
| | | | | | min. | maximum (PS) | without heating | with 1 heating element (3) |
| | | | | | | air ~/= | | |
| 4 5 6 | 1/4 | 5,6 | 0,71 | 11,8 | 0 | 7 | C204-220 C205-220 C206-220 | C204-221 C205-221 C206-221 |

- (1) Intermittent duty, Relative Duty Time is 10%. Max on time 1 min.
(2) Without heating elements: minimum ambient temperature 0°C; with one heating element: -15°C
(3) Heating element: refer to "Ordering Information". Heating element rating: 80 watt.

OPTIONS

- Heating element for low ambient temperatures
- Special customer adapted executions on request

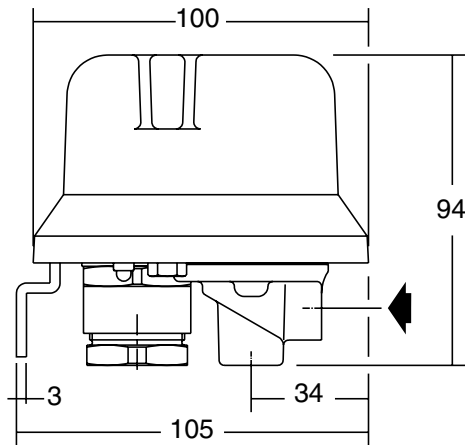
INSTALLATION

- The pilot boxes can be mounted in any position without affecting operation
- Pipe connections are: Rp 1/4 according to ISO 7/1 for pilot connection
- Cable entries: control cable on box : cable Ø 13 - 18 mm
connection cable heating element : cable Ø 6 - 12 mm
- Spare parts kit and replacement coils are available

SPARE PARTS KITS

| catalogue number | Spare parts kit no. | |
|------------------|---------------------|---------|
| | ~ | = |
| C204.220/221 | C112838 | C112682 |
| C205.220/221 | | |
| C206.220/221 | | |

DIMENSIONS (mm), WEIGHT (kg)



ORDERING INFORMATION

C20 6 - 2 2 0 230/50

Volts / Hz

Optional execution

- 0 = no heating element
- 1 = element with same voltage as coils. If coil voltage deviates from heating element voltage, please consult us for exact codification

Pipe size Rp 1/4

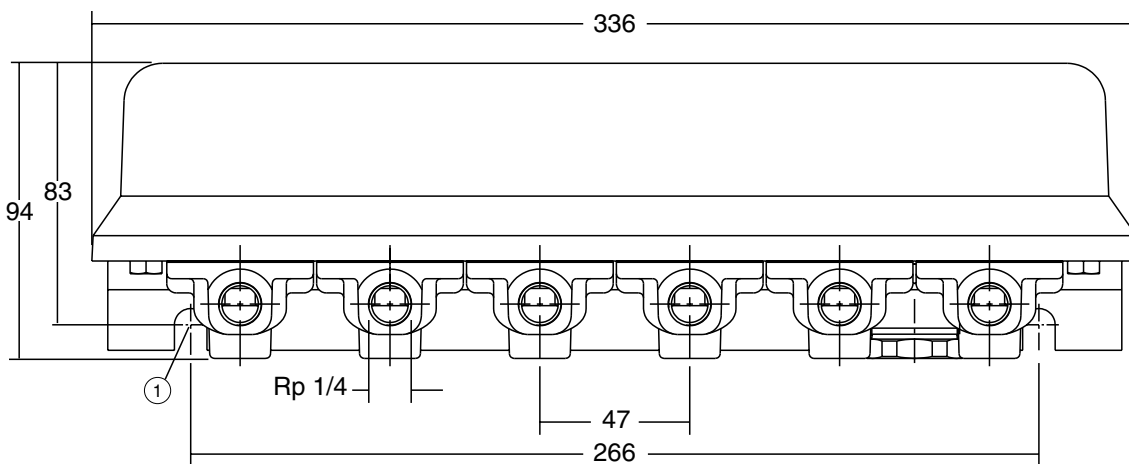
Coil type only SMXX

Change letter

Number of pilots

- 4 = 4 pilot valves
- 5 = 5 pilot valves
- 6 = 6 pilot valves

Basic number C20



① Mounting : 2 holes Ø 10 with pitch D

| pipe connections | weight |
|------------------|--------|
| C204 | 3,7 |
| C205 Rp 1/4 | 4,1 |
| C206 | 4,6 |