



HTRT10A(-D)

Humidity and temperature transmitters

A range of room transmitters for measuring humidity and temperature in indoor environments.

Transmitters intended for wall mounting in HVAC systems.

Temperature sensors

The unit has built-in 0...10 V and PT1000 temperature sensors, working range 0...50°C.

Relative humidity

The transmitters have a capacitive thin-film element that provides a 0...10 V signal proportional to the relative humidity in the range 0...100 % RH.

The measuring element responds quickly to changes in humidity and has excellent long-term stability.

Supply voltage

The transmitter uses a supply voltage of 24 V AC $\pm 10\%$ or 15...35 V DC. It automatically detects and adapts to the supply voltage connected.

Display (-D models)

Display models have an LCD display showing temperature and humidity in an alternating series.

Short facts about HTRT10A(-D)

- Analogue output signal
- Temperature sensors, 0...10 V DC referring to 0...50°C and PT1000 class DIN B
- Output signal humidity, 0...10 V DC referring to 0...100 % RH
- Humidity, 10...90 % RH
- Temperature, 0...50°C
- Good long-term stability

Models

Model	Description
HTRT10A	Humidity and temperature transmitter
HTRT10A-D	Humidity and temperature transmitter with display

Technical data

Output signal	Analogue
Supply voltage (U_V)	24 V AC $\pm 10\%$ or 15...35 V DC
Power consumption	< 1 W
Transformer power	2 VA
Electrical connection	Screw terminals max. 1.5 mm ² (AWG 16)
Storage temperature	-25...+60°C
Operating temperature	0...50°C
Ambient humidity	10...90 % RH non-condensing
Protection class	IP30
Dimensions (WxHxD)	85 x 100 x 30.5 mm

Humidity

Humidity sensor	Capacitive
Analogue output 0...100 % RH	0...10 V, $I_L \leq 1$ mA
Working range	10...90 % RH
Accuracy at 20°C	± 3 % RH

Temperature (0...10 V)

Analogue output 0...50°C	0...10 V DC, $I_L \leq 1$ mA
Working range	0...50°C
Accuracy at 20°C	± 0.4 °C

Temperature (PT1000)

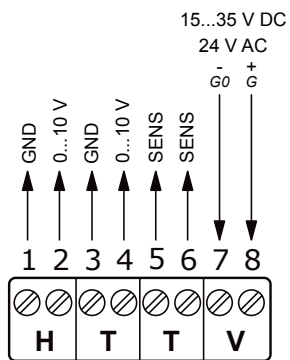
Output signal temperature	PT1000 class DIN B
Working range	0...50°C
Accuracy at 20°C	± 0.3 °C



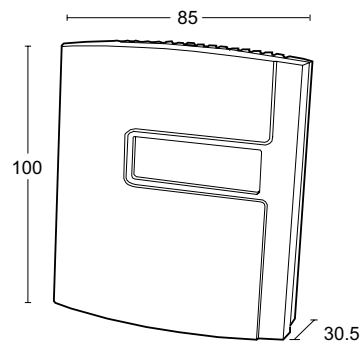
EMC emissions & immunity standards: This product conforms to the requirements of the EMC Directive 2004/108/EC through product standards EN 61000-6-1 and EN 61000-6-3.

RoHS: This product conforms to the Directive 2011/65/EU of the European Parliament and of the Council.

Wiring and dimensions



GND and G0 are internally connected.



(Measurements in mm.)

Product documentation

Document	Type
HTRT10A(-D)_inst	Instruction for the transmitter range

The document can be downloaded from www.regincontrols.com.