



Corrigo ventilation

The customised controller for both simple and advanced ventilation applications

Flexible, yet simple

Corrigo is a series of controllers that can be used either stand-alone or integrated into a network using BACnet-AAC, Modbus and EXOline. It has built-in support for 22 different languages and greatly improved processor speed. Corrigo is designed for standard DIN-rail or cabinet mounting. It controls air handling units with temperature control (up to 5 sequences) and has 1- or 2-speed operation or, alternatively, pressure or air flow of supply air fan and extract air fan. It also handles humidity control as well as all other functions common in ventilation.

Great flexibility through number of ports and expansion units

Corrigo is available in models featuring one, two or three communication ports, giving you as an end user great flexibility when it comes to connectivity. In order to expand the number of I/O:s of a controller, up to two expansion units can be connected to models with two ports. The maximum input/output number is 3*28, making a total of 84.

See all connection options offered by the new Corrigo in the model overview on page 3.

Supports communication via EXOline, Modbus or BACnet-AAC

Corrigo supports communication via BACnet/IP, Modbus TCP and EXOline using the TCP/IP port. Controllers containing the electrical RS485 interface additionally also support EXOline, BACnet and Modbus. This enables integration of the controller into existing networks and monitoring of the system via the Internet, a mobile device or from a local computer.

Connection via LAN/Internet enables adjusting setpoints, saving settings and supervising system functions.

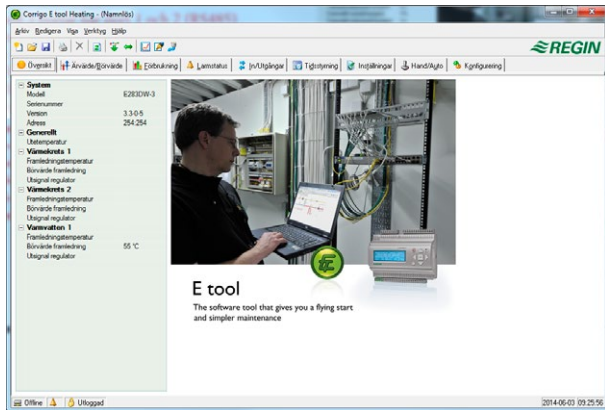
Smart functions in Corrigo ventilation 3.6

- Adapted for control of air handling units with temperature control (up to 5 sequences)
- Handles humidity control
- Supports use of existing building network for Modbus communication via TCP/IP
- Supports communication via BACnet-AAC, EXOline and Modbus
- Has 1- or 2-speed operation or, alternatively, pressure or air flow of supply air fan and extract air fan
- Available in models featuring one, two or three communication ports, giving you the end user great flexibility when it comes to connectivity
- Handles the use of Regin's Presigo pressure transmitters as I/O expansion
- Easy installation: Connect the controller, set the desired values and start up (part of Regin's "Ready Steady Go" concept)



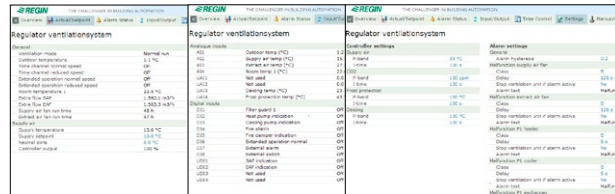
Configure your installation using E tool®

Corrigo enables easy connection of E tool®, a PC-based software enabling configuration and supervision of an installation via a comprehensive interface. This helps conserve time as the program provides an excellent overview of all settings.



Integrated web server

The E...-W-3 models contain an integrated web server, easy to configure using E tool®. The web server can be used both in internal intranet and external Internet solutions. The web server will automatically upload the information and values required to the web pages. Real time charts are also available.



The web server is comprehensive and easy to use

Expansion units

Any Corrigo controller can be used as an expansion unit. However, units without a display are normally utilised since no information will be shown in the display of the expansion unit. The units are easily initialised using an external display.

Regin's Presigo pressure transmitter can also easily be connected as an expansion unit.

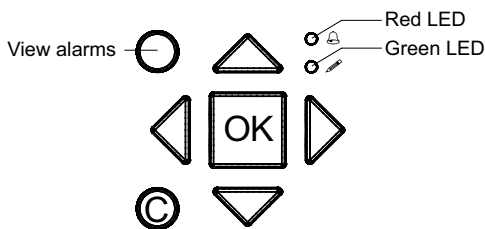
Simple navigation both with or without display

Corrigo is available with or without display. In units with a built-in display, it is of course backlit. The display light is normally dimmed but is activated when a button is depressed and automatically turned off after a certain period of inactivity.

There are two LEDs on the front:

- The alarm LED is marked with the symbol
- The "write enable" LED is marked with the symbol

The display menu system is handled via seven buttons:



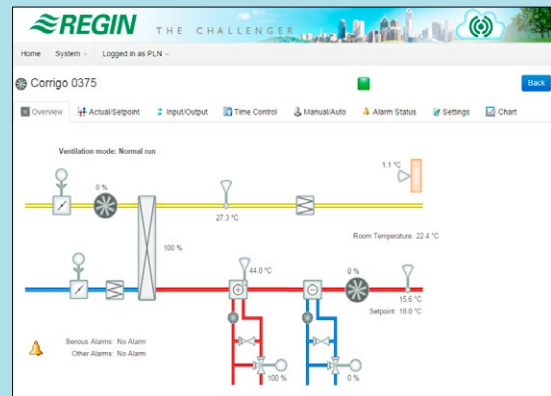
Models without a display can be mounted in a cabinet and controlled from outside using the E3-DSP display unit, which functions as an external display at a distance of up to 100 m.

Corrigo also enables use of both an internal and external display at the same time.

CLOUDigo – easy, web-based control of your system

As of E tool® 3.0, it is possible to connect a Corrigo to CLOUDigo, a cloud-based service that makes it very easy to supervise a Corrigo via the Internet. Type the valid address into your Corrigo or simply tick a checkbox, depending on your hardware version. Once done, the Corrigo will by itself locate the CLOUDigo server in which all settings are stored. The user then navigates to the same server and controls the ventilation system from there.

For more information, see "CLOUDigo user guide", available for download from www.regincontrols.com.



Operating screen for CLOUDigo

Models

	E151W-3	E151DW-3	E15D-S-LON	E152W-3	E152DW-3	E281W-3	E281DW-3	E282W-3	E282DW-3	E28D-S-LON	E283W-3	E283DW-3
AI*	4	4	4	4	4	4	4	4	4	4	4	4
DI*	4	4	4	4	4	8	8	8	8	8	8	8
UI*	-	-	-	-	-	4	4	4	4	4	4	4
AO*	3	3	3	3	3	5	5	5	5	5	5	5
DO*	4	4	4	4	4	7	7	7	7	7	7	7
RS485			•	•	•			•	•	•	•	•
BACnet/IP	•	•		•	•	•	•	•	•		•	•
LON			•							•		
TCP/IP	•	•		•	•	•	•	•	•		•	•
1 port	•	•	•			•	•					
2 ports				•	•			•	•	•		
3 ports											•	•
Display		•	•		•		•		•	•		•

* AI=analogue inputs, DI=digital inputs, AO=analogue outputs, DO=digital outputs, UI=universal inputs (can be configured to function as either analogue input or digital input)

All third generation Corrigo controllers support external displays.

Accessories

For a complete list of accessories, see Regin's web site, www.regincontrols.com.

Technical data

Supply voltage	24 V AC $\pm 15\%$, 50...60 Hz or 21...36 V DC
Power consumption	8 VA, 4 W (DC), model E...W-3: 9 VA, 5 W (DC)
Ambient temperature	0...50°C
Storage temperature	-20...+70°C
Ambient humidity	Max. 90 % RH, non-condensing
Protection class	IP20
Connection	Disconnectable terminal strips, 4 mm ²
Memory backup	Built-in long life battery gives long backup time of all settings incl. real time.
Display	Backlit LCD (blue), 4 rows of 20 characters



EMC emissions & immunity standard: This product conforms to the requirements of the EMC Directive 2004/108/EC through product standards EN 61000-6-1 and EN 61000-6-3.

RoHS: This product conforms to the Directive 2011/65/EU of the European Parliament and of the Council.

Inputs

Analogue inputs	For PT1000 sensors (accuracy $\pm 0.4^\circ\text{C}$) or 0...10 V DC (accuracy $\pm 0.15\%$ of full output signal). 12 bit resolution in the A/O conversion.
Digital inputs	For potential free contacts

Outputs

Analogue outputs	0...10 V DC, 1 mA, short-circuit proof
Digital outputs	Mosfet outputs, 24 V AC or DC, 2 A continuous. Max. 8 A totally.

Communication ports

TCP/IP port (E...W-3)	Web server, TCP/IP communication, BACnet/IP communication and Modbus TCP
LON port (E...-S-LON)	LON communication (only in generation 2 Corrigo controllers)
RS485	EXOline, Modbus communication and BACnet MS/TP

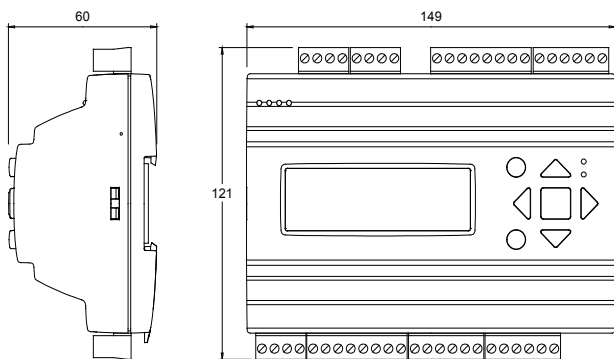
Indications

Operation indication	Supply voltage is indicated with green LED
Alarm indication	Plain text and blinking red LED
Sum alarm	The output can be configured

E tool®

System requirements	Computer with operating system Windows 2000, XP, Vista, Windows 7, Windows 8, 8.1 or 10
---------------------	---

Dimensions



Measurements in mm.

Product documentation

Document	Type
Manual Corrigo ventilation	Manual for Corrigo with ventilation application
Manual E tool®	Manual for the configuration software E tool® and web configuration
Product sheet and instruction E3-DSP, ED-RU, ED-TCV	
Product sheet and instruction E0R-3/E0R230K-3	
Product sheet ED9200	Information about accessories for Corrigo
Instruction FMCE	
Instruction RM6-24/D / RM6H-24/D	

The product documentation can be downloaded from www.regincontrols.com.

Head Office Sweden

Phone: +46 31 720 02 00
 Web: www.regincontrols.com
 Mail: info@regin.se

