



MTIR

Mechanical wall thermostat

MTIR is a series of high quality electro-mechanical thermostats for use in cooling, heating and ventilation systems.

- Wide setpoint range
- Adjustable or fixed hysteresis
- 2-step design available

The MTIR electro-mechanical thermostats are constructed around a fluid-filled capillary tube and sensor housing that transfers the changes in temperature to a change-over relay. In thermostats constructed for wall mounting, the capillary tube is wound and mounted on top of the housing. The relay is capable of breaking up to 15 A at 230 V AC.

Hysteresis

1-step models are available featuring either fixed or adjustable hysteresis.

2-step models have fixed hysteresis. See model list overleaf.

- Breaking capacity 15 A at 230 V AC
- Protection class IP65

Step differential

In the 2-step thermostats, the step differential can be adjusted 2...5 K.

Setpoint adjustment

Models are available with setpoint adjustment via a knob mounted either on or under the unit cover.

Models

Type	Temperature range	Steps	Hysteresis	Step diff.	Max. bulb temp	Insertion length	Hidden setpoint
MTIR30S	-30...+30°C	1	2...15 K	-	65°C	200/Ø21	
MTIR30SH	-30...+30°C	1	2...15 K	-	65°C	200/Ø21	•
MTIR30	-30...+30°C	1	1 K	-	65°C	200/Ø21	
MTIR30-2	-30...+30°C	2	1 K	2...5 K	65°C	200/Ø21	
MTIR60S	0...+60°C	1	2...15 K	-	65°C	200/Ø21	
MTIR60	0...+60°C	1	1 K	-	65°C	200/Ø21	
MTIR60SH	0...+60°C	1	1 K	-	65°C	200/Ø21	•
MTIR60S-2	0...+60°C	2	1 K	2...5 K	65°C	200/Ø21	

Technical data

Sensitive element

Liquid-filled coiled copper bulb

Contacts

Dust-tight microswitches with SPDT contacts (heat/cool)

Switch capacity

15 (8) A, 24...250 V AC

Ambient temperature

-35...+60°C

Ambient humidity

10...90 % RH (non-condensing)

Housing

Bayblend® base, ABS cover

Protection

IP65, class I

Weight

450 g

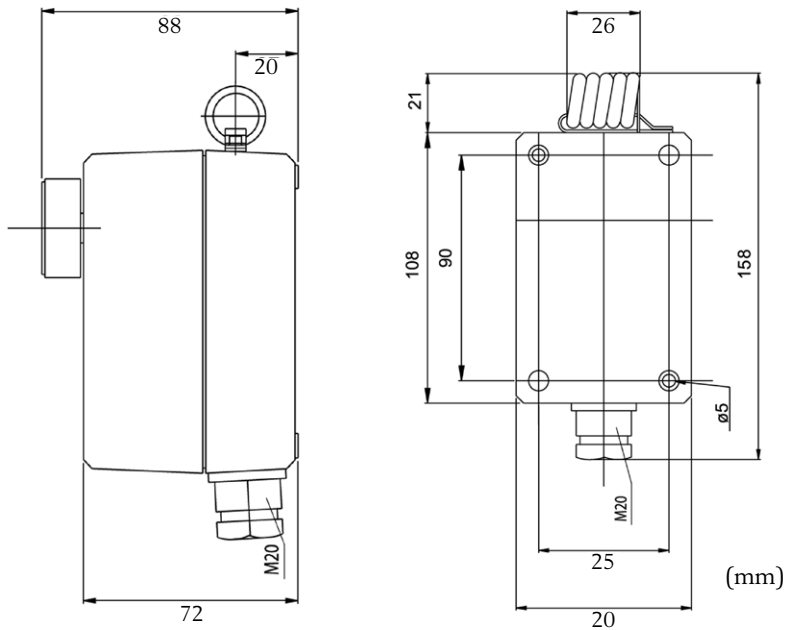


Low Voltage Directive (LVD) & EMC emissions & immunity standards:

This product conforms to the requirements of the European Low Voltage Directive (LVD) 2006/95/EC and to the requirements of the EMC Directive 2004/108/EC through product standard EN 60335-1.

RoHS: This product conforms to the Directive 2011/65/EU of the European Parliament and of the Council.

Dimensions



Wiring

Heating

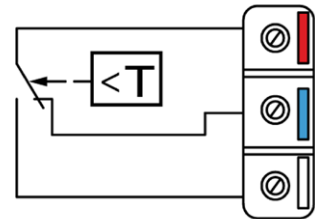
Connect to the red and blue terminal. The contact will open when the temperature rises.

For 2-step versions, the step 2 contact will open first when the temperature rises, followed by the step 1 contact.

Cooling

Connect to the red and white terminal. The contact will open when the temperature drops.

For 2-step versions, the step 2 contact will open first when the temperature drops, followed by the step 1 contact.



Product documentation

Document	Type
MTIR_inst	Instruction for MTIR

The document can be downloaded from www.regincontrols.com.

Head Office Sweden

Phone: +46 31 720 02 00

Web: www.regincontrols.com

Mail: info@regin.se